

## QS Series

### Bi-directional Knife Gate Valve Grooveless Wear-Resistant Special for Mining



**Model:** QSZ73X

**Working Pressure:** DN50-DN100 10bar  
DN125-DN200 8bar  
DN250 5bar

**Type:** Wafer

**Design Standard:** MSS SP-81

**Flange Standard:** PN10/PN16 150LB TE TD

**Face to Face:** MSS SP-81

**Testing Standard:** API-598

**Operation:** handwheel, electric, pneumatic, hydraulic, sprocket, electro-hydraulic, gear

**Main material:** GGG40

**Wedge material:** SS316L,SS304

**Sealing material:** EPDM

**Packing:** Aramid fiber,high-water-based rubber packing graphite wheel

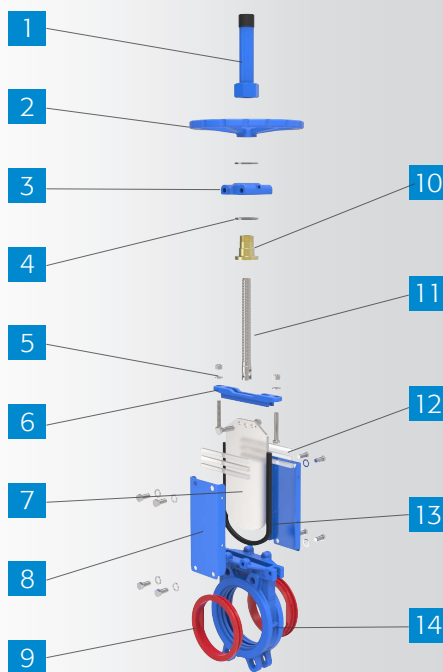
**Applicable medium:** Applicable for coal in power plant, slag discharge, sewage treatment, food, paper making, medicine, petroleum and chemical industry, water, Oil, steam, connecting or cutting grout, gold powder, ores, slag, coal, pulp, wood pulp, tailings, fibers, dust, chemicals, sewage treatment, sedimentation tanks, asphalt, bunker export, fruit juices, cereals, slaughter plant waste and other media.

#### Features:

- # Bi-directional seal
- # 1PC Body design
- # Full port design
- # polyurethane Seat cover
- # 2PC Strong yoke design
- # Mixed with a variety of materials packing

#### Product Description:

QS Series No groove bi-directional seal knife gate valve, cast iron body with the over all structure knife gate valve, including valve' body, gate, and U-shaped flexible seal at the bottom of the body with grooves and polyurethane Seat cover. When the valve is closed, the bottom of the gate edge contact with the seal and then compress the seal into the groove in the body and sealed gate realization; when the gate opens, separate gate from the bottom edge of the seal, seal will bounce to same level as groove, which will prevent the media sediment accumulated in the body cavity of the groove, no clogging, no residue, pipe easy to clean, so as to effectively improve the sealing effect knife gate valve to prevent leakage when the valve is closed.



Code	Name	Material	QTY
1*	Stem Cover	Steel	1
2	Hand wheel	GGG40	1
3	Yoke Head	GGG40	1
4	Bearing	Gcr15	2
5	Bolt & Nut	Fe+Zn/SS304	N
6	Packing Gland	WCB	1
7	Disc	SS304/SS316L	1
8	Yoke	A3	2
9	Seat Contariner	Polyurethane	N
10	Stem Nut	Cu59	1
11	Stem	2Cr13/SS304	1
12	Packing	Aramid PTFE	3-5
13	U Seat	EPDM	1
14	Body	GGG40	1

\*electric, pneumatic, hydraulic, sprocket, electro-hydraulic, gear **available**