



SES - ENSER
Engineering

Fire Protection Technology



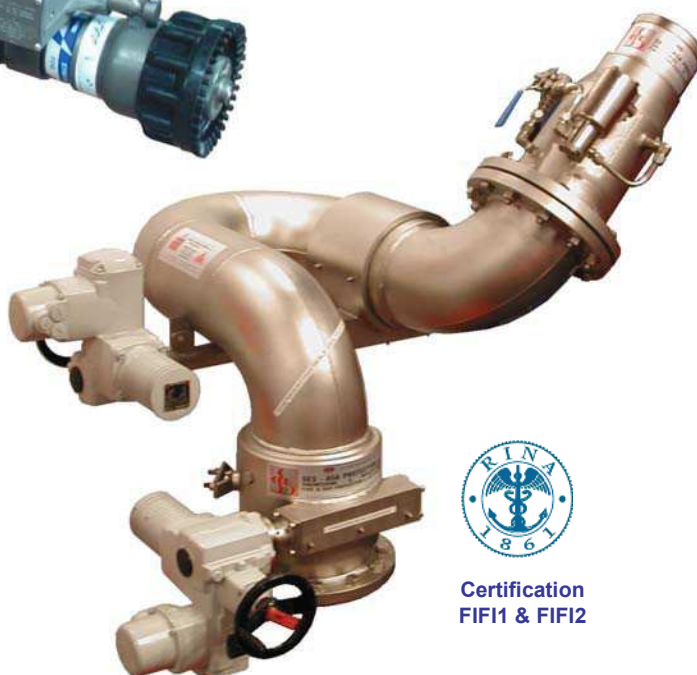
INNOVATIVE ELECTRIC REMOTE CONTROLLED MONITORS



MONITORE EM-4 TYPE
Max flow 5.000 lpm (1300 GPM)



ELECTRIC REMOTE CONTROL
Max distance to Monitor 50 m



Certification
FIF1 & FIF2

MONITORE EM-8 TYPHOON TYPE
Max flow 30.000 lpm (7900 GPM)

Description

The electric remote controlled monitors EM-4 (4"), EM-6 (6"), EM-8 (8") Typhoon type provides excellent performance, minimum maintenance and designed to operate in extremely hard conditions and in aggressive environments. They are suitable for use with all type of water and foam concentrates in either sea or fresh water. The monitors are electric remote controlled by means of two electric actuators with electric motors for horizontal & vertical movement. Each electric multiturn actuator is provided with adjustable limit switches, torque switches, thermo-switches and potentiometer for remote position control. Monitors can be provided with water or foam branch pipe or full/fog jet electric nozzle. All monitors made in carbon steel or stainless steel AISI316 will be supplied painted with red epoxy coat redRAL3000.

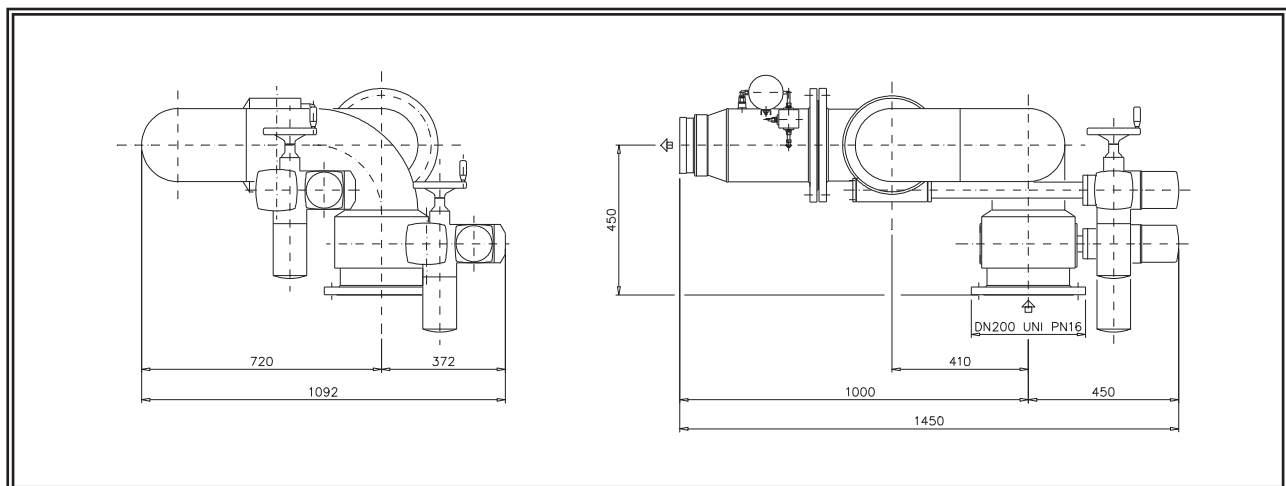
Applications

Protection of flammable liquid storage tanks, Dikes and Loading Racks, Tankers & Chemical Carrier, Docks, Piers and off-shore platforms, Hangar and Loading Bay.

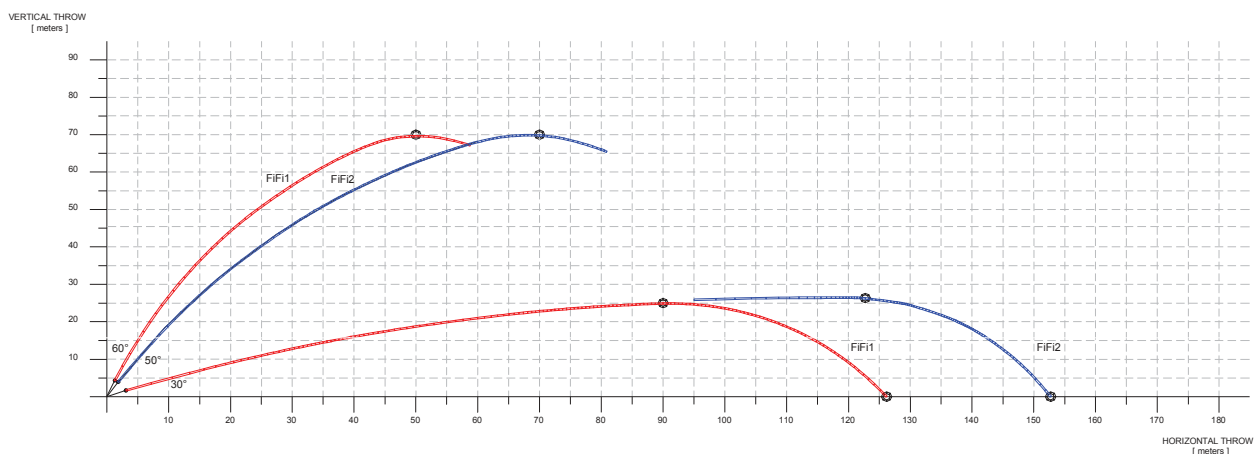
The EM-8 TYPHOON monitor is approved by the Italian Naval Register RINA for application on board of tug-boats, class FIF1 & FIF2.

TECHNICAL DATA

Working pressure	: 12 BAR
Design pressure	: 16 BAR
Test pressure	: 24 BAR
Flow rate	: 1200 m ³ /h – FiFi1 : 1800 m ³ /h – FiFi2
Jet type	: Full / Spray
Reaction force	: 1600 kg
Rotation range	: +/- 360°
Elevation range	: +/- 90°
Main power supply	: 440Vac / 60Hz
Power consumption	: 1.5 Kw (x 2)
Enclosure	: IP 65
Weight	: 240 kg



EM-8 TYPHOON - Overall dimensions



EM-8 TYPHOON FiFi1 & FiFi2 – Water throw chart