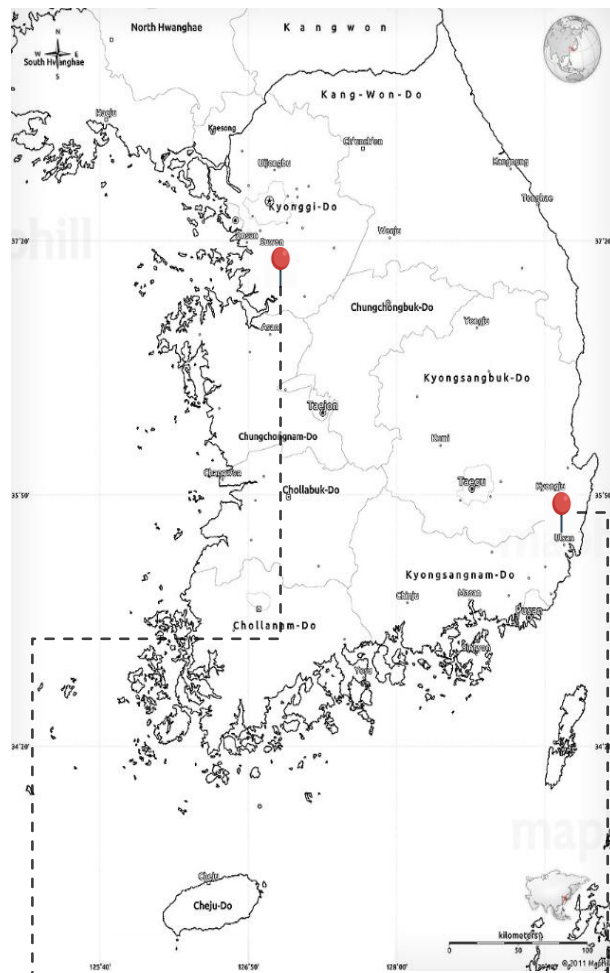




Lebe Industrial Co., Ltd.



Founder : President & CEO Sang-Su Lee
Established : 1995
Main items : Industrial filter, filtering unit & system
Total employees : 41
2016 turnover : US\$ 10,500,000



Cheonan office

Tel : +82 (0)41 553 9752
Fax : +82 (0)41 554 9752

Head quarter and R&D center

178, Gokcheongeomdan-ro, Geomdan-ri, Ungchon-myeon,
Ulju-gun, Ulsan, Republic of Korea Post code 44965

Tel : +82 (0)52 265 9752 **Web** : www.lebeind.co.kr

Fax : +82 (0)52 265 0076 **E-mail** : lebe@lebeind.co.kr

ООО «ТИ-СИСТЕМС» ИНЖИНИРИНГ И ПОСТАВКА ТЕХНОЛОГИЧЕСКОГО ОБОРУДОВАНИЯ
Интернет: www.tisys.ru www.tisys.kz www.tisys.by www.tesec.ru www.ti-системс.рф
Телефоны: +7 (495) 7774788, 7489626, 5007155, 54 Эл. почта: info@tisys.ru info@tisys.kz info@tisys.by

- 1995. 10 LeBe founded**
- 1996. 03 Exclusive Agency Agreement with PARKER Hannifin Filter Group in KOREA**
- 2000. 10 Incorporation of LeBe Industrial Co., LTD.**
- 2004. 09 ISO 9001 : 2000 certificate acquired**
- 2005. 07 Exclusive Research & Development center was built**
- 2007. 03 INNO-BIZ (Innovation Business) & Venture company certificate acquired**
- 2008. 03 Clean Workplace certificate acquired from Korea Occupational Safety & Health Agency**
- 2009. 02 Reliability certificate ('R' mark) of Oil Strainer acquired**
- 2011. 10 WPS-PQR approved by KOREAN RESISTER OF SHIPPING**
- 2011. 12 Subsidiary company, VMS Industrial Co., Ltd. established in Busan**
- 2014. 07 R&D Institute newly constructed**
- 2015. 07 ISO 14001:2004 and OHSAS 18001:2007 acquired**
- 2015. 10 Registered at MODEC's supplier**
- 2016. 10 ASME Stamp U, U2, S certificates acquired**

PRODUCT – FILTERING UNIT



AVIATION FUEL FILTER SEPARATOR

- ASME Code Sec. VIII Construction
- Material of Stainless Steel
- Design Pressure of 150 psi
- Filter Cartridges comply with EI 1581 (Make from VELCON or FACET)
- Shock qualified by Test(MIL-S-901D)



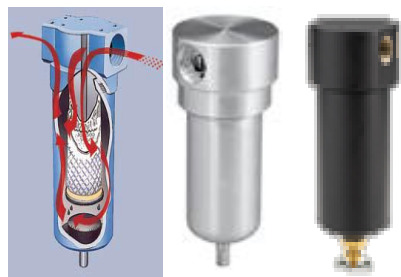
FUEL FINE FILTER & PRE-FILTER

- ASME Code Sec. VIII Construction
- Welded Carbon Steel or Stainless Steel
- Filter Cartridges from VELCON or FACET
- Pre-Filter up to 50 micron Filtration
- Shock qualified by Test(MIL-S-901D)
- Installed for Gas Turbine Fuel System, and Cargo fuel system of AO/AOE



AVIATION FUEL GUARD MONITOR

- ASME Code Sec. VIII Construction
- Material of Stainless Steel
- Design Pressure of 150 psi
- Filter Cartridges comply with EI 1583 (Make from VELCON or FACET)
- Shock qualified by Test(MIL-S-901D)



HIGH PRESSURE AIR FILTER

- Up to 4000 psi
- Material of Stainless Steel
- Installed for Breathing Air System in Submarine



FUEL PURIFICATION UNIT

- Filtering Type Purifier up to 30 gpm Flow rate
- Combined Unit with Pump and Controller
- Available Single or Duplex Type
- Carbon Steel Construction
- Installed for 300-500 ton Class Patrol Boats



Supply Record :

- ROKN Combat Ships (DDG, DDH, FFX)
- ROKN Amphibious Ships (LPH, LST)
- ROKN Mine Laying Ship (MLS)
- ROKN Logistic Support Ship (AOE, ATX)
- ROKN Misc. Ships (LSF, YPK, etc.)
- ROK Coastguard Ships (300~5000 TON)



SL/SLB Type

Feature

- Pressure : Applications using manufactured according to user requirements.
- Material : SUS304, 316, 316L
- Feature : Housing for general industrial applications using and manufactured according to users requirement.



BLSB/BLSS Type

Feature

- Pressure : 150PSI(at) 200°F(94°C)
- Material : SUS304, 316, 316L
- Feature : Scale and Uses a regular filter Higher accumulation capacity than cartridge filters. The attached spring lead minimizes the space required and allows easily opening and closing for the worker.



SRD/SR Type

Feature

- Pressure : Applications using manufactured according to user requirements.
- Material : SUS304, 316, 316L
- Feature : Large-scale Housing for general industrial applications using and manufactured according to user requirements. Independent assembly provides outstanding sealing and suitable for high pressure applications.



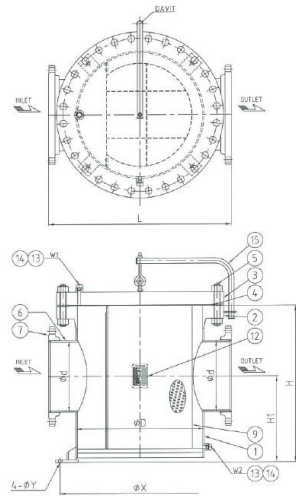
BLS/BLT/BLB Type

Feature

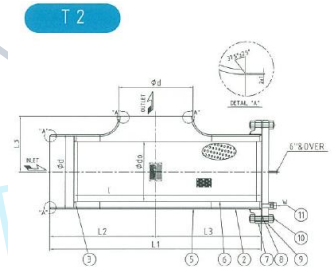
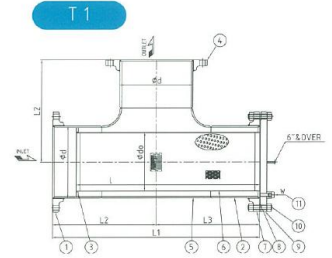
- Pressure : 150PSI(at) 200°F(94°C)
- Material : SUS304, 316, 316L
- Feature : Big scale and Uses a regular filter Higher accumulation capacity than cartridge filters.

PRODUCT - FILTER PACKAGE AND HOUSING

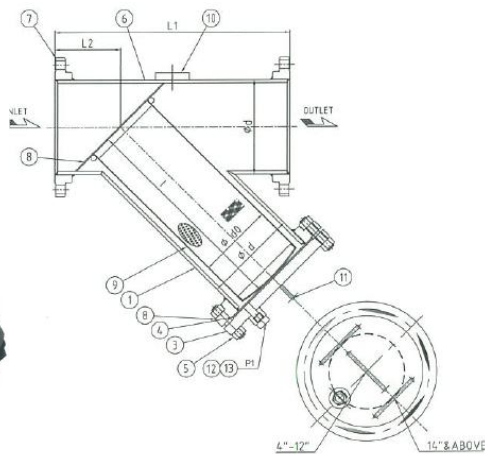




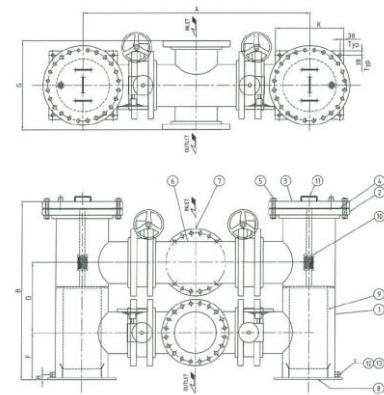
Simplex Basket Strainer



T - Type Strainer



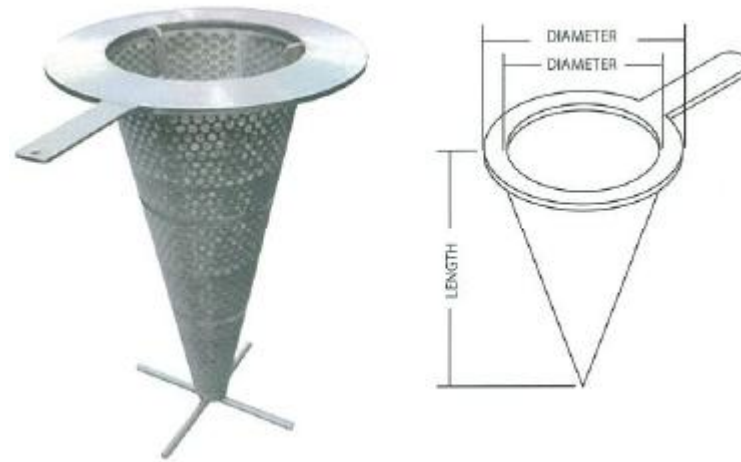
Y - Type Strainer



Duplex Basket Strainer



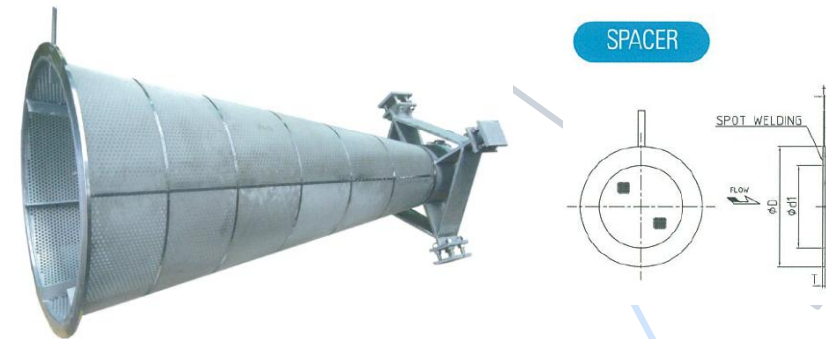
Cylindrical Screen



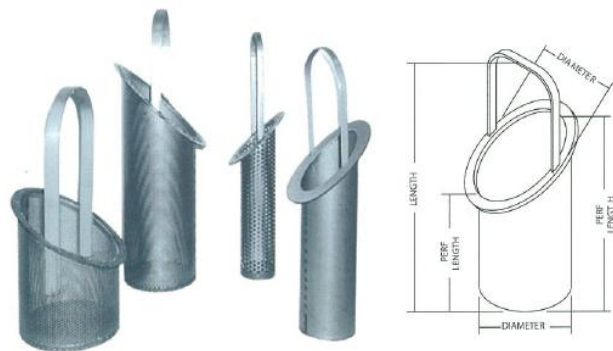
Cone Type



Basket Type

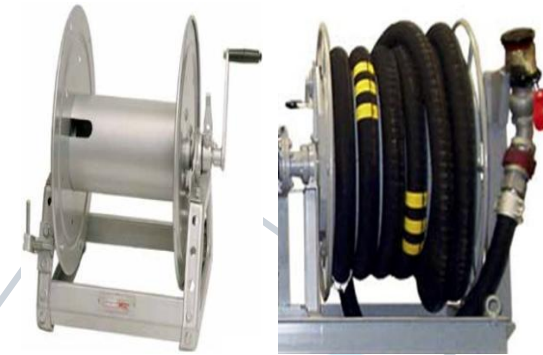


Conical Type Strainer



Slanted Type Basket

PRODUCT - HELI FUEL SUPPLY SYSTEM



HIFR FACILITY

- Helicopter In Flight Refueling Hose
- Deck Tie-Down Fittings
- HIFR Rig Assembly with Beakaway Coupling

PUMP/FILTER MODULE

- Two Fueling Pumps (Ex-proof for JP-8 system)
- One Filter/Water Separator
- Piping and Instruments on a Skid-mount

DISPENSING MODULE

- Fuel Hose Reel Assembly
- Fuel Guard Monitor
- Flow meter
- Control Panel
- Piping and Instruments on a Skid-mount

HOSE REEL AND HOSE ASSEMBLY

- Manual Rewind Reel
- Power Rewind Reel (Electric or Pneumatic)
- ELAFLEX Refueling Hoses

Helicopter Refueling System Installed



**FRIGATE and DESTROYER
(ROKN FFX, DDH-II, DDG)**



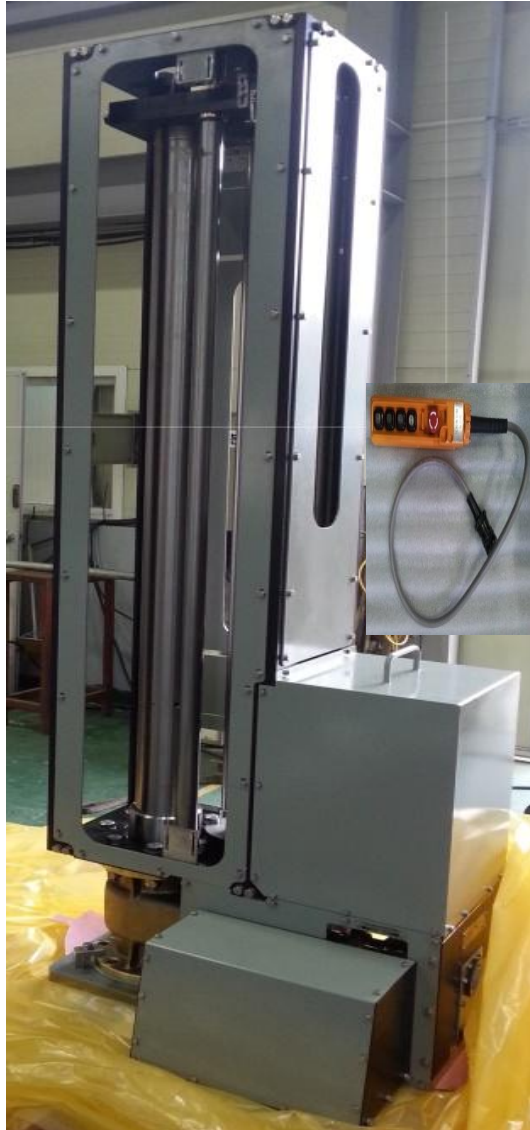
**AMPHIBIOUS SHIPS
(ROKN LPD-157)**



**LOGISTIC SUPPORT SHIP
(ROKN AOE-II)**



**COASTGUARD PATROL SHIPS
(1500~5000 TON CLASS)**



SONAR HOIST ASSEMBLY



MAIN CONTROL PANEL



REMOTE CONTROL PANEL

USBL Sonar Hoist Installed



USBL Sonar Hoist

- Motor Operated Hoisting Gear for Sonar Transducer
- Long Travel lengths, Simple Installation, Self-Supporting System
- Semi-Automatic System : Manual and Automatic Hoisting
- Shock qualified by Test(MIL-S-901D)

Particulars

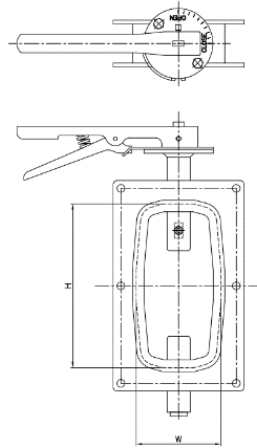
Travel Stroke	1450 mm
Hoisting Capacity	220 kg
Hoisting Motor	3PH 220V, 1.5kW, Gear ratio(1:5)
Bottom Valve	Motor Operated Gate Valve, 6 inch(150A)
Size	820 x 570 x 2,250mm(W x D x H)
Weight	Approx. 500kg
Material	Sensor Rod : Stainless Steel or Titanium Bottom Valve: AL-Bronze Frame / Cover : SUS316 / AL alloy



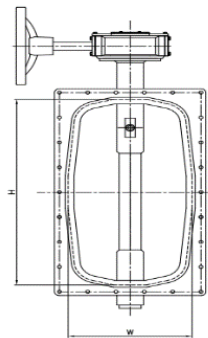
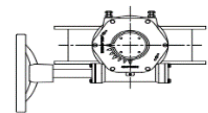
PRESSURE REGULATOR UNIT

- Used for Control Air System
- Size : 3/4" to 1"
- Regulating : 40 bar to 7 bar
- Material : Aluminium Alloy
- Light Weight
- Assembly Unit with Pressure Regulator, Air filters, Instrument and Piping

PRODUCT - SQUARE TYPE DAMPER VALVE & BALLAST VALVE



Lever Operator



Gear Operator

SQUARE TYPE DAMPER VALVE

- Used for HVAC Square Duct System
- Water-Tight type
- Welded Steel Construction with NBR Seat
- Shock qualified by Test(MIL-S-901D)
- Installed for All kind of ROKN Vessel

○ Available Size : Lever Type

MODEL NO.	DIMENSIONS UNIT:mm	
	SIZE	
	H	W
LB-WTDV-G11	100	100
LB-WTDV-G12	150	100
LB-WTDV-G13	200	100
LB-WTDV-G01	200	150
LB-WTDV-G02	250	150
LB-WTDV-G03	300	150
LB-WTDV-G04	300	200
LB-WTDV-G05	350	150
LB-WTDV-G15	350	200
LB-WTDV-G18	350	250
LB-WTDV-G06	400	200
LB-WTDV-G07	400	250
LB-WTDV-G19	450	200
LB-WTDV-G08	450	250
LB-WTDV-G20	450	350
LB-WTDV-G09	500	250
LB-WTDV-G21	500	350
LB-WTDV-G10	550	250
LB-WTDV-G14	600	300
LB-WTDV-G16	600	400
LB-WTDV-G17	600	450

Gear Type

MODEL NO.	DIMENSIONS UNIT:mm	
	SIZE	
	H	W
LB-WTDV-L01	100	100
LB-WTDV-L02	150	100
LB-WTDV-L03	200	100



Ballast valve

- Used for Seawater Filling to Ballast Tanks or Void Space of the Amphibious Ships
- Hydraulically Operated Submerged Type (Hyd. Power Unit is separately installed)
- Constructed High-Quality Naval Bronze (Available in Stainless Steel)
- Shock qualified by Test(MIL-S-901D)
- Installed for ROKN Amphibious Ships (LPH, LST)
- Available Size - 4" (100A) - 6" (150A) - 8" (200A) - 10" (250A) - 14" (350A)

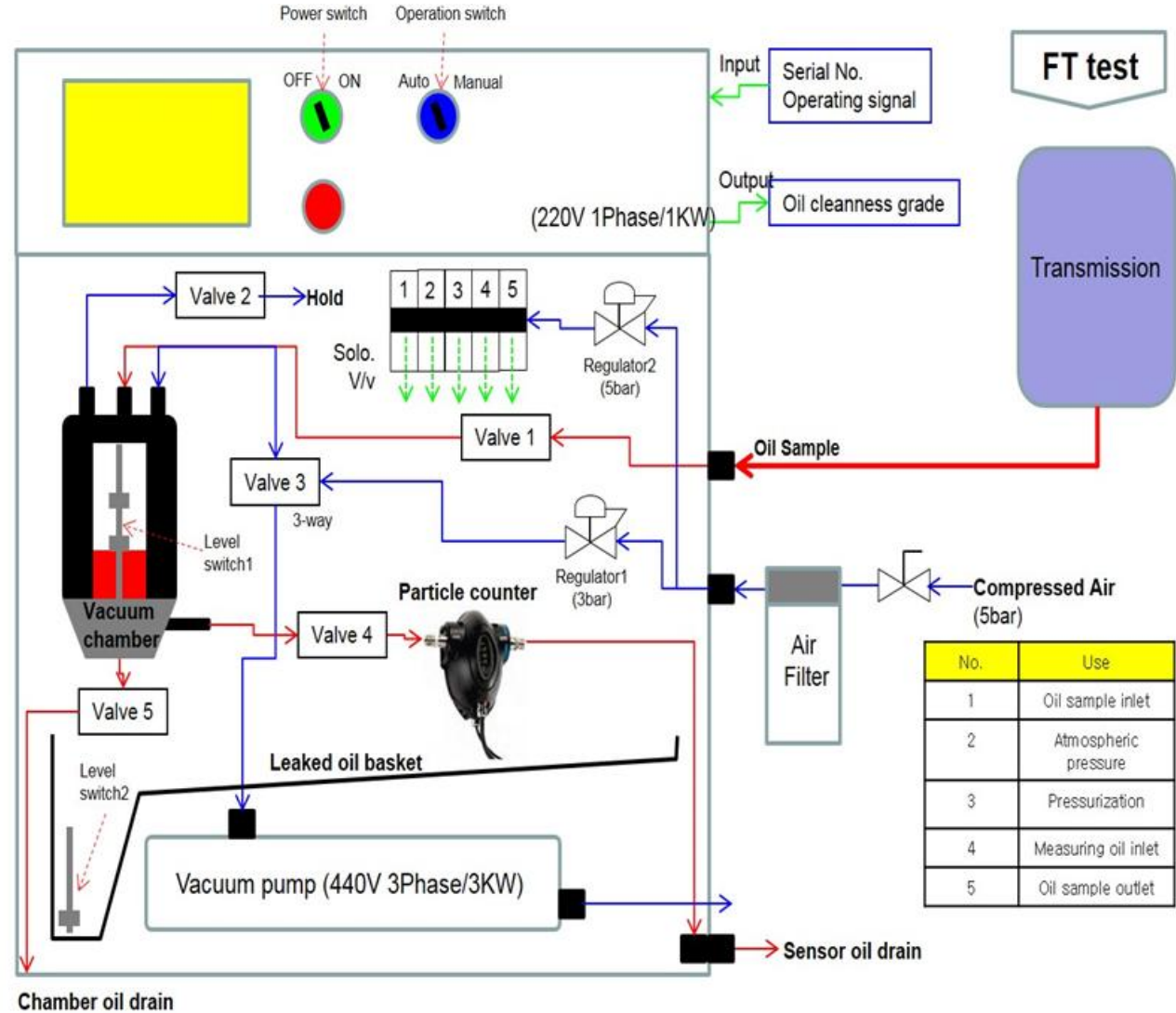


Offshore Ballast pump & Control valve



Battle ship (Landing ship) Ballast control valve

PRODUCT – ATM (AUTO TRANSMISSION)



ATM will test fully assembled products transmission oil cleanness to confirm the assembly completion. Which will help factory's qualification, save cost and time for qualification test.

CERTIFICATES AND PATENTS



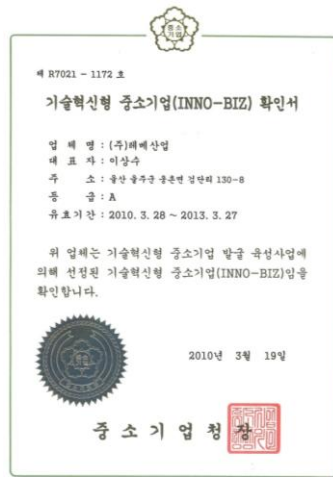
ISO 9001



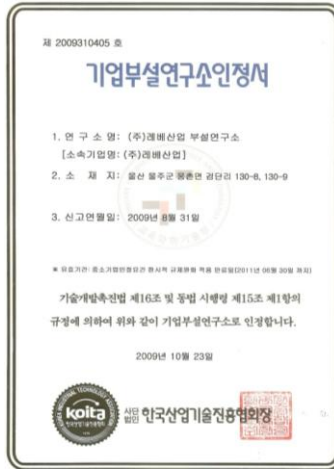
ISO 14001



OHSAS 18001



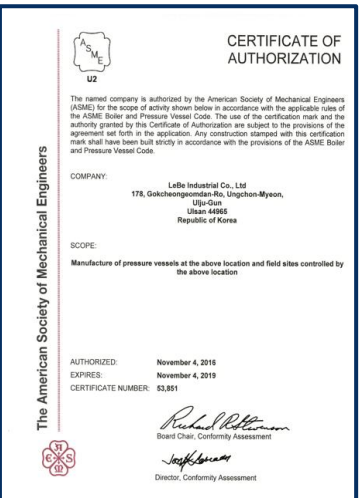
INNO - BIZ



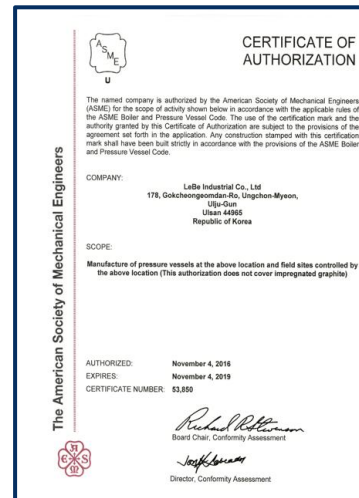
Research Institution



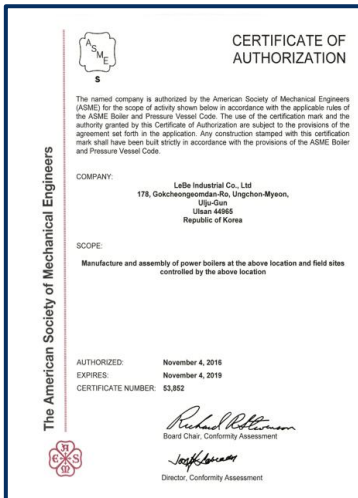
Reliability



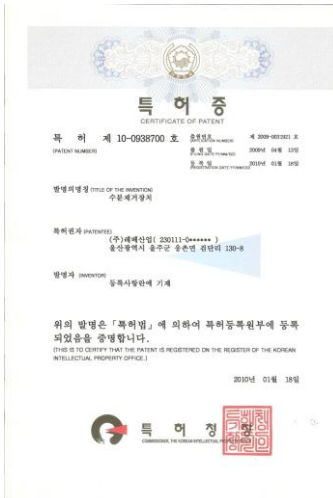
ASME U2



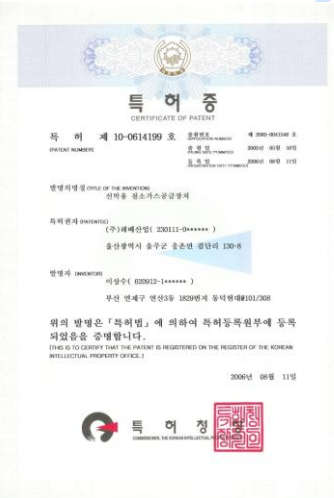
ASME U



ASME S



Moisture filter system



Nitrogen generator for ship



Demister Design



Offshore and Marine

Hyundai Heavy Ind.
Samsung Heavy Ind.
DSME
STX offshore & Shipbuilding
Hanjin Heavy Ind.
MODEC



Power Plant

Korea East-west Power
Korea Nuclear Fuel
Wolsong Nuclear Power
Korea Southern Power



Chemistry

BASF
Noroo Paint
SK Energy
Lotte Chemical
Samsung BP
ISU Chemical



Others

POSCO
Novelis Korea
NK
Tyco Marine
KIMM



Machinery

Hanhwa Techwin
Scania Korea
Soosan Heavy Ind.
Kwangshin Machinery
DIC