

SIEKMANN ECONOSTO

Supplies, Services, Solutions.



DIN Gate Valves

www.siekmann-econosto.com

По всем вопросам обращайтесь в наш офис ООО "ТИ-Системс":
Тел/факс: (495) 7774788, 5007154, 55, 65, 7489626, 7489127, 28, 29
Эл. почта: info@tisis.ru Интернет: www.tisis.ru www.tisis.kz www.tisis.by www.tesec.ru



SEIKMANN ECONOSTO

Supplies, Services, Solutions.

Siekmann Econosto is more than just a traditional supplier. We provide solutions for industrial valves and associated equipment required by international engineering and construction companies, power plants, oil and gas facilities and the chemical industry and thereby acting as consultant, engineering partner, manufacturer, logistics expert and after-sales partner. This integrated strategy provides to the customers a significant benefit at every single phase of the project.

We remain true to our pledge of continuously developing our structures, processes and personnel to the needs of our customers and the markets.

This process is continuously improved thus guaranteeing always an expedient, sophisticated functionality which is geared to customers' requirements.

We are the partner customers are looking forward to satisfy their specific needs: Siekmann Econosto offers market flexibility and competence during more than 50 years of experience in the relevant customer and product markets.

Our know-how matches and optimizes product requirements and the manufacturers' market with the specific demands of plant oriented engineering & construction facilities respectively end-users.

Our professional and experienced project management warrants a cost-optimized and technically sound execution within the time schedule set.



Logistics centre Zwenkau

Table of contents

- Availability** 3
 - Warehousing, logistics, service, modification 3
- Product Description** 4
 - Areas of application, approvals 4
 - Manufacturing and Testing 5
 - Design and special features 5
 - Materials, Dimensions and Weights 6
 - Modifications and Accessories 8
- Product Range** 10



High-bay warehouse

AVAILABILITY

Warehousing, logistics, service, modification

Customer orientation means for Siekmann Econosto to rapidly supply the products in the way as if we were directly available at the customers' premises. The deliveries prepared to the particular needs of our customers are being executed from our new logistics centre in Zwenkau. In one of Europe's largest warehouse (around 4000 m²) for valve equipment and accessories we keep available a range of industrial valves and gaskets tailored to the needs of our customers.

Our modern production facilities allow us to meet specific, non-standard customer requirements, e.g.:

- ▲ Mounting and testing of actuators (electric, pneumatic, hydraulic)
- ▲ Installation of positioners, position indicators, locking devices, sealing water connections, spindle extensions
- ▲ Special machining for weld-ends
- ▲ „Free of oil and grease” – version for use in high-purity oxygen

We also offer a comprehensive spectrum of testing services, e.g.:

- ▲ Strength, tightness and functional tests
- ▲ Spectroscopic analysis of the alloy elements (PMI test)
- ▲ Inspection of the surface quality using the magnetic particle and dye-penetrant methods (MPT & LPT)
- ▲ Volumetric testing using ultrasonic and X-ray (RT) technology
- ▲ Hardness and roughness testing
e.g. on: seats, flange finish

Our service team is available on-site with mobile special equipment for inspections, maintenance, repair and other services.

PRODUCT DESCRIPTION

Areas of application, approvals

The Siekmann Econosto product series of DIN gate valves has been developed for the most stringent requirements in process engineering systems, oil and gas plants, the petrochemicals and chemical industry as well as power plants technology.

It can thus be confirmed that the norms, regulations and standards applicable in Europe and especially in Germany are fully complied with in the design, selection and application of the raw material, as well as manufacturing, quality inspection and final acceptance tests.

In particular, the requirements of the European Pressure Equipment Directive PED 97/23/EC and the German AD2000 Merkblatt regulation are fully implemented, including the manufacturer approval according to AD2000-HP0, as well as approval of the semi-finished product manufacturer in line with AD 2000-W0.

Gaskets and packings are certified according to the TA-Luft 2002/VDI 2440-2000 guideline.



Pressure Equipment Directive Modul H1



DIN EN ISO 9001:2008



Manufacturer Approval AD 2000 HP0



AD 2000 W0 / Raw Material Manufacturer Approval



TA-Luft Certificate

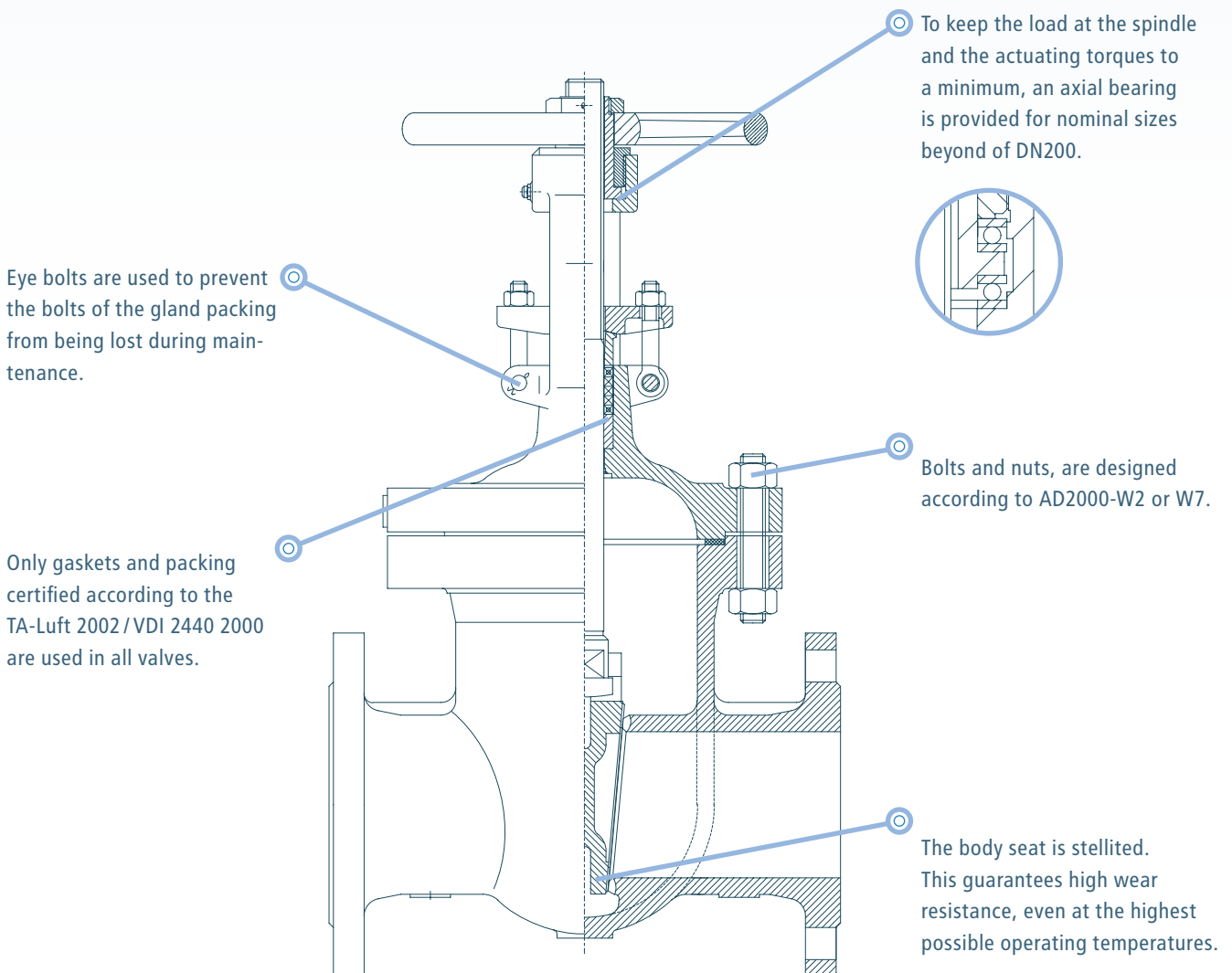
Manufacturing and Testing

The components made from cast steel, such as the body and bonnet, comply with the requirements for the casting process according to AD 2000 Merkblatt A4. The casting quality is certified and documented according to DIN 1690 T10.

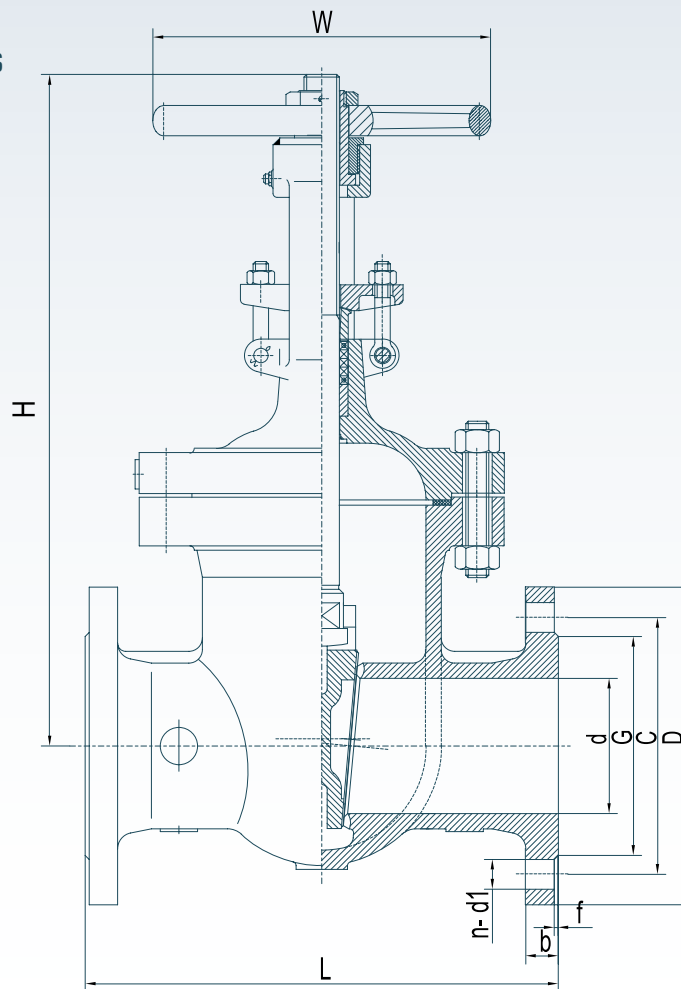
Design and special features

The gate valves are designed and constructed in line with the current European regulations.

The construction is designed in accordance with DIN EN 12516. The face-to-face dimension has been specified corresponding to DIN EN 588 and DIN EN 1092 has been implemented for the flange dimensions.



Materials, Dimensions and Weights



Part Name	GP 240 GH	Stainless Steel	Stainless Steel
Body	1.0619	1.4308	1.4408
Bonnet	1.0619	1.4308	1.4408
Wedge	< DN 200 = 13Cr ≥ DN 200 = 1.0619+ER410	1.4308	1.4408
Stem	13Cr	18-10 CrNi	17-12-2 CrNiMo
Stem Nut	Austenitic cast iron	Austenitic cast iron	Austenitic cast iron
Hand Wheel	Cast steel	Cast steel	Cast steel
Gland Flange	1.0619	1.4308	1.4308
Spacer	13Cr	CrNi	CrNi
Gland	13Cr	CrNi	CrNi
Gland Packing	Graphite	Graphite	Graphite
Gasket	Spiral Wound Graphite	Spiral Wound Graphite	Spiral Wound Graphite
Stud	25CrMo4	A2-70	A2-70
Nut	25CrMo4	A2	A2
Eye Bolt	25CrMo4	A2-70	A2-70
Nut	25CrMo4	A2	A2
Pin	C25	CrNi	CrNi
Split Pin	CrNi	CrNi	CrNi
Handwheel Nut	C25	CrNi	CrNi
Screw	C25	CrNi	CrNi
Grease Fitting	C25	CrNi	CrNi
Name Plate	Stainless Steel	Stainless Steel	Stainless Steel
Rivet	Stainless Steel	Stainless Steel	Stainless Steel

Other materials and material combinations can be delivered on special request or project-related.

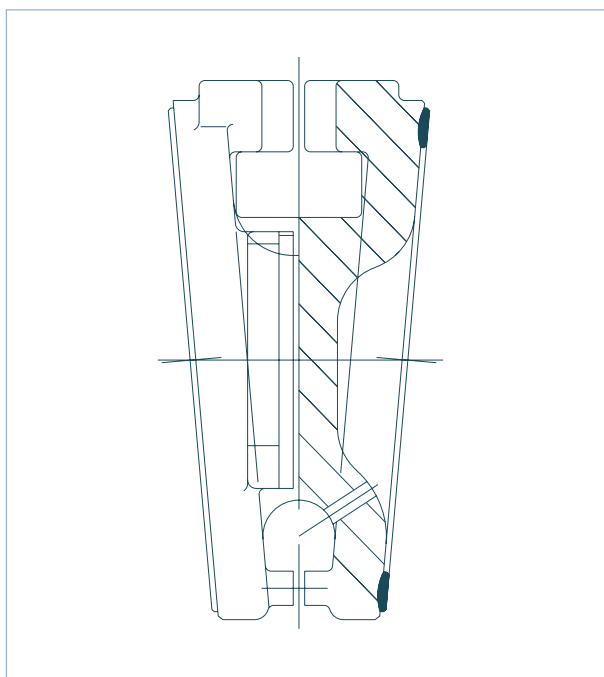
PN 10	DN	L	d	G	C	D	b	f	n-d1	W	H	Weight
		mm	mm	mm	mm	mm	mm	mm	mm	mm	mm	kg
50	250	50	102	125	165	18	2	4-18	200	327	25	
65	270	63	122	145	185	18	2	8-18	200	378	34	
80	280	78	138	160	200	20	2	8-18	250	422	41	
100	300	100	158	180	220	20	2	8-18	250	497	59	
150	350	150	212	240	285	22	2	8-22	300	601	100	
200	400	200	268	295	340	24	2	8-22	350	738	151	
250	450	250	320	350	395	26	2	12-22	400	879	250	
300	500	300	370	400	445	26	2	12-22	500	1028	348	
350	550	343	430	460	505	26	2	16-22	305	1526	460	
400	600	394	482	515	565	26	2	16-26	458	1730	621	
450	650	445	532	565	615	28	2	20-26	458	1913	813	
500	700	495	585	620	670	28	2	20-26	610	2145	1005	
600	800	597	685	725	780	34	2	20-30	610	2520	1443	

PN 16	DN	L	d	G	C	D	b	f	n-d1	W	H	Weight
		mm	mm	mm	mm	mm	mm	mm	mm	mm	mm	kg
50	250	50	102	125	165	18	2	4-18	200	327	25	
65	270	63	122	145	185	18	2	8-18	200	378	34	
80	280	78	138	160	200	20	2	8-18	250	422	41	
100	300	100	158	180	220	20	2	8-18	250	497	59	
150	350	150	212	240	285	22	2	8-22	300	601	100	
200	400	200	268	295	340	24	2	12-22	350	738	151	
250	450	250	320	355	405	26	2	12-26	400	879	250	
300	500	300	378	410	460	28	2	12-26	500	1028	348	
350	550	343	438	470	520	30	2	16-26	305	1526	460	
400	600	394	490	525	580	32	2	16-30	458	1730	621	
450	650	445	550	585	640	40	2	20-30	458	1913	813	
500	700	495	610	650	715	44	2	20-33	610	2145	1005	
600	800	597	725	770	840	54	2	20-36	610	2520	1443	

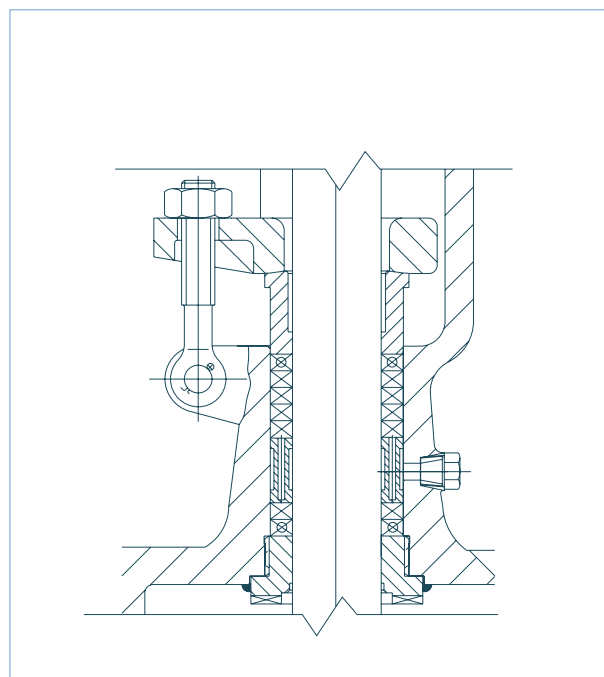
PN 25	DN	L	d	G	C	D	b	f	n-d1	W	H	Weight
		mm	mm	mm	mm	mm	mm	mm	mm	mm	mm	kg
50	250	50	102	125	165	20	2	4-18	200	327	26	
65	270	63	122	145	185	22	2	8-18	200	378	36	
80	280	78	138	160	200	24	2	8-18	250	422	43	
100	300	100	162	190	235	24	2	8-22	250	497	62	
150	350	150	218	250	300	28	2	8-26	350	601	107	
200	400	200	278	310	360	30	2	12-26	400	738	166	
250	450	250	335	370	425	32	2	12-30	450	879	279	
300	500	300	395	430	485	34	2	16-30	458	1475	396	
350	550	336	450	490	555	38	2	16-33	458	1641	532	
400	600	387	505	550	620	40	2	16-36	610	1780	731	
450	650	438	555	600	670	46	2	20-36	610	1970	972	
500	700	488	615	660	730	48	2	20-36	610	2205	1210	
600	800	590	720	770	845	58	2	20-39	610	2599	1745	

PN 40	DN	L	d	G	C	D	b	f	n-d1	W	H	Weight
		mm	mm	mm	mm	mm	mm	mm	mm	mm	mm	kg
50	250	50	102	125	165	20	2	4-18	200	327	28	
65	290	63	122	145	185	22	2	8-18	200	378	40	
80	310	78	138	160	200	24	2	8-18	250	422	54	
100	350	100	162	190	235	24	2	8-22	250	497	71	
150	450	150	218	250	300	28	2	8-26	400	601	172	
200	550	200	285	320	375	34	2	12-30	450	738	246	
250	650	250	345	385	450	38	2	12-33	600	879	374	
300	750	300	410	450	515	42	2	16-33	458	1475	558	
350	850	336	465	510	580	46	2	16-36	458	1641	840	
400	950	387	535	585	660	50	2	16-39	610	1780	1186	
450	1050	432	560	610	685	57	2	20-39	610	1970	1512	
500	1150	483	615	670	755	57	2	20-42	610	2205	1790	
600	1350	584	735	795	890	72	2	20-48	610	2599	2700	

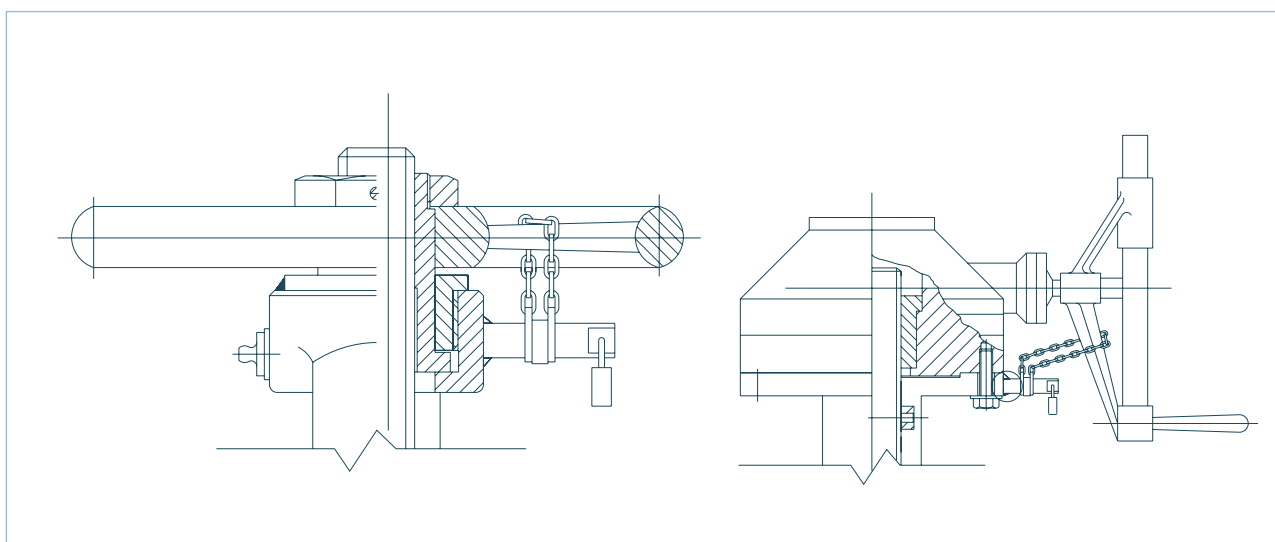
Modifications and Accessories



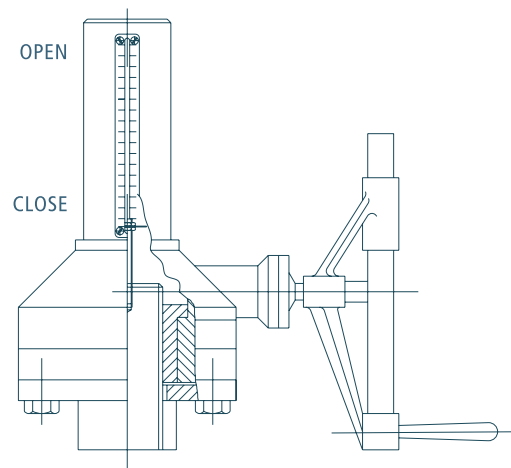
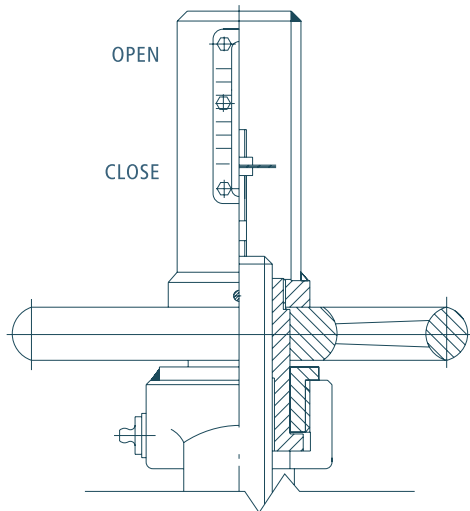
Pressure release hole



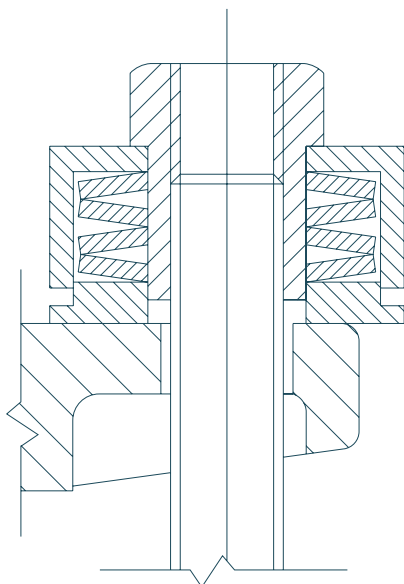
Gland packing with seal-water connection



Locking device



Position indicator / Stem protection



Belleville-spring loaded gland packing

Others:

- ▲ Remote position feedback
- ▲ Electric, pneumatic and hydraulic actuators
- ▲ Locking device with key cabinet

PRODUCT RANGE

Valve Type		DN			PN		Carbon Steel
		DN 15 - 50	DN 50 - 600	> DN 600	PN 10 - 100	PN 100 - PN640	
Gate Valves	Small Gate Valves forged	■			■	■	■
	Gate Valves casted		■	■	■	■	■
	Gate Valves forged		■	■	■	■	■
	Through Conduit Gate Valves API 6D		■	■	■	■	■
Globe Valves	Globe Valves casted	■	■	■	■	■	■
	Globe Valves forged	■	■	■	■	■	■
	3 Way Globe Valves	■	■		■		■
	Y Type Globe Valves	■	■		■	■	■
	Quick Closing Globe Valves	■	■		■	■	■
Check Valves	Check Valves casted	■	■		■	■	■
	Check Valves forged	■	■		■	■	■
	Swing Check Valves casted	■	■		■	■	■
	Swing Check Valves forged	■	■	■	■	■	■
	Check Valves wafer-type	■	■	■	■	■	■
	Swing Check Valves wafer-type	■	■	■	■	■	■
Ball Valves	1 PC Floating Ball Valves	■					■
	2 PC Floating Ball Valves	■	■	■	■	■	■
	3 PC Floating Ball Valves	■	■	■	■	■	■
	Ball Valves floating ball	■	■	■	■	■	■
	Ball Valves trunnion mounted		■	■	■	■	■
	Ball Valves TOP ENTRY		■	■	■	■	■
	Ball Valves fully welded maintenance free		■	■	■	■	■
	3-Way ball Valves , L or T-Type	■	■	■	■		■
Butterfly Valves	Concentric Butterfly Valves	■	■	■	■		■
	Double Off-Set Butterfly Valves		■	■	■		■
	Triple Off-Set Butterfly Valves		■	■	■	■	■
Special Valves	Pig Valves			■	■		■
	Mud Valves	■			■	■	■
	Nozzle Check Valves	■	■	■	■	■	■
	Safety Valves	■	■	■	■	■	■
	Sight Glasses	■	■	■	■		■
	Steam Traps	■	■		■	■	■
	Strainer	■	■	■	■	■	■

