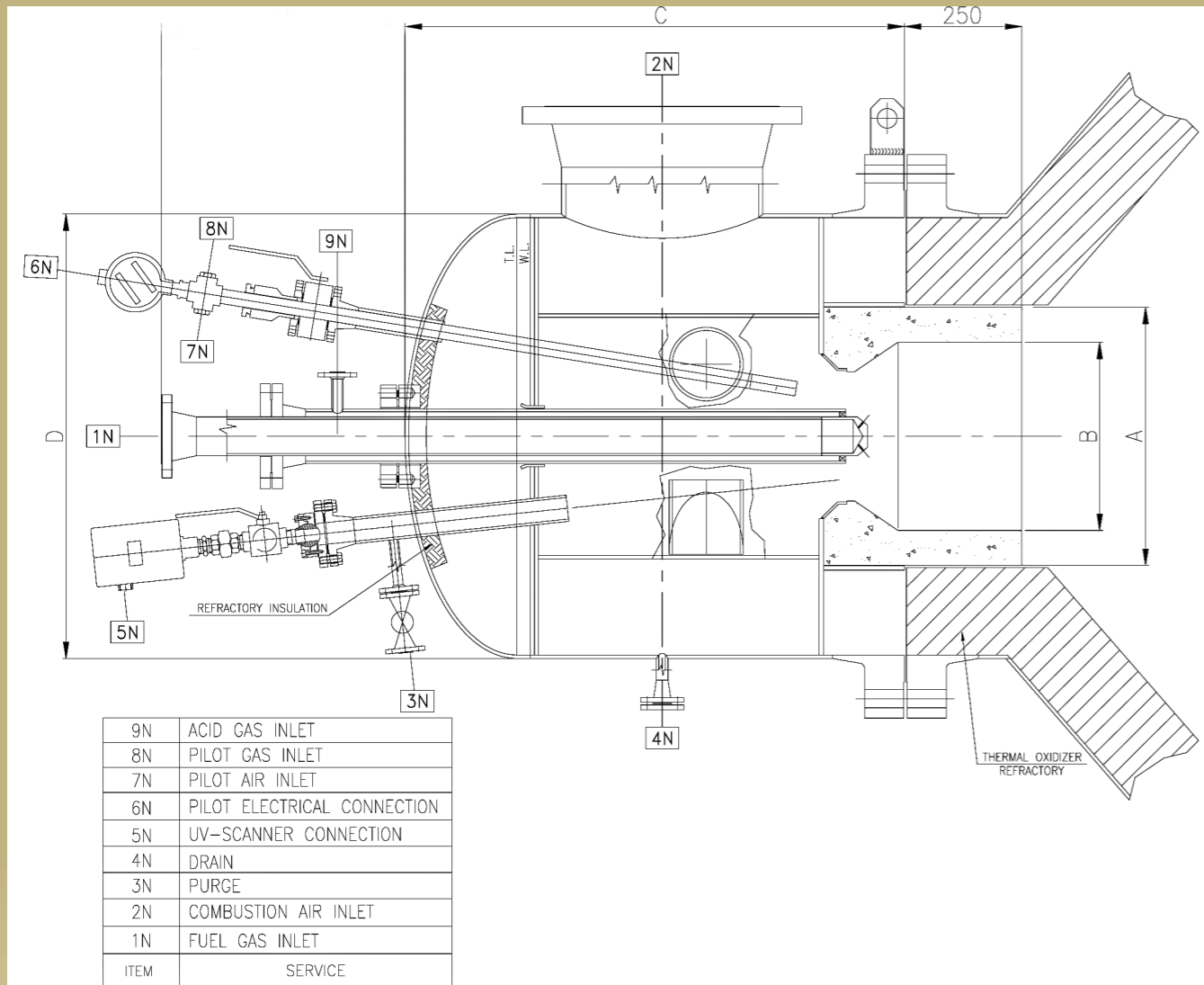
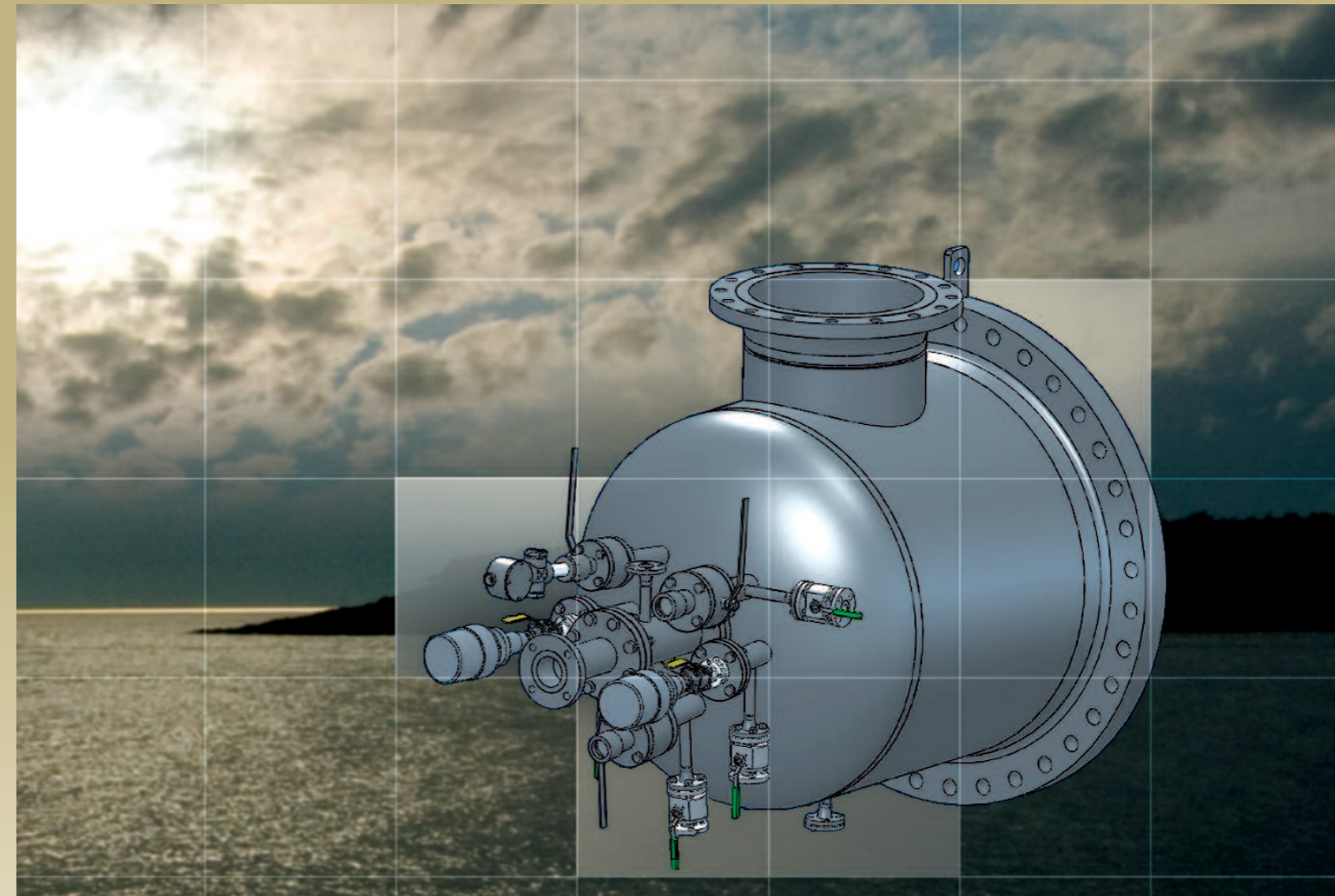


SRU acid gas burner main dimensions



ITAS SRU Acid Gas Burner



Burner Size	Nominal heat liberation [MW]	DIMENSIONS ¹ (mm)				Burner Weight (kg)
		A	B	C	D	
1,5	1,5	600	350	900	762	500
3	3	750	500	1100	914	700
6	6	950	700	1300	1066	1200
9	9	1100	850	1500	1270	1600
15	15	1300	1050	1700	1524	2500
20	20	1500	1250	1900	1676	3500
30	30	1700	1450	2100	2140	5000

¹ Dimensions in case of order can be changed to suit design data.



EIP/BSRU01120



ITAS profile

ITAS S.p.a. is an engineering company designing and supplying, amongst many other products, burners and accessories for combustion system as well as entire turn-key combustion plants.

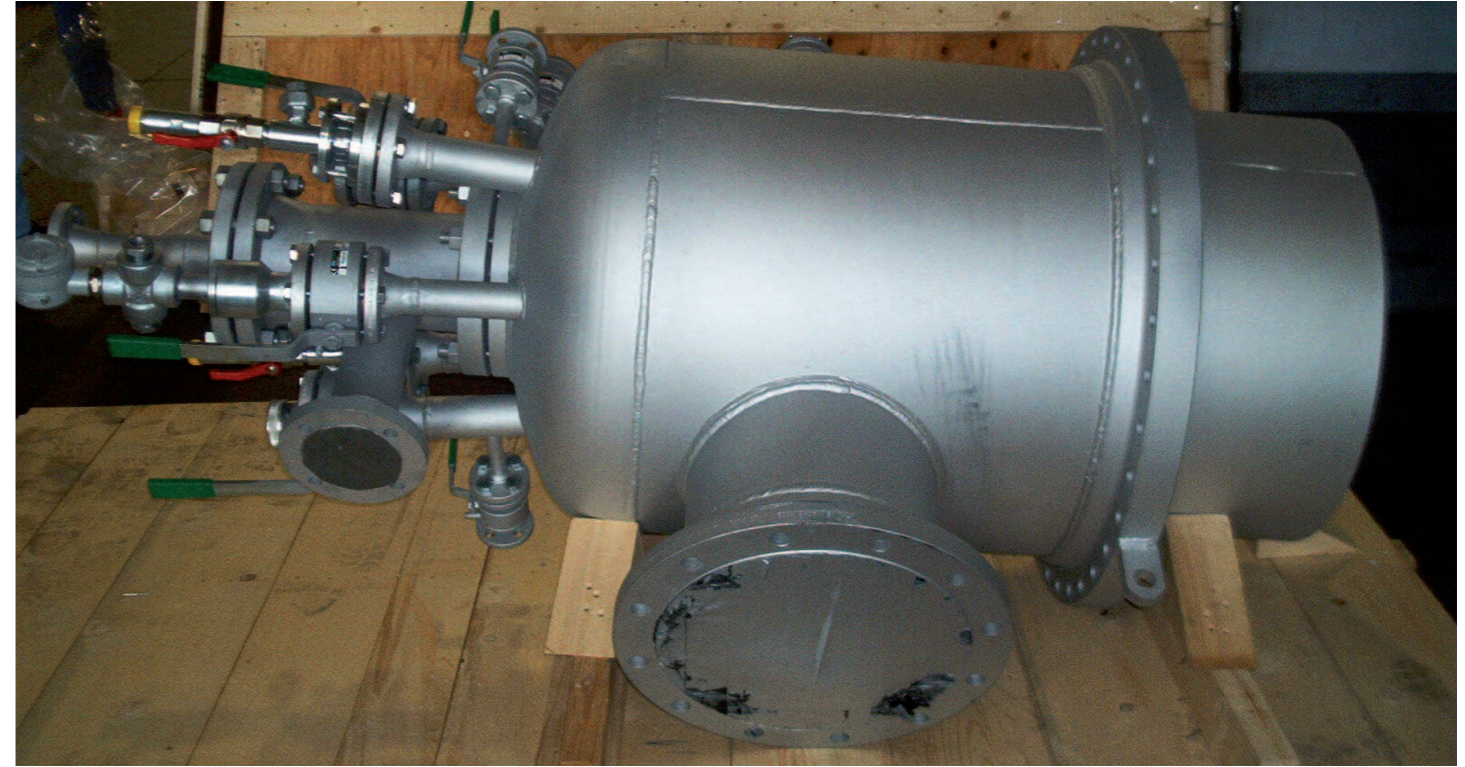
High Intensity Forced Draught Acid gas burner

The SRU Acid Gas burner has been specially developed specifically for Claus SRU Acid Gas Reaction Furnace applications.

The ITAS SRU Acid Gas burner partially combusts acid gas feedstock with air in sub-stoichiometric conditions in the oxidation part of the Claus process.

This process converts the H₂S in the acid gas into elemental sulphur, after which it can be recovered. The burner can meet the process requirements specified by the leading SRU licensors for modern SRU plant.

The burner has been developed to provide intimate mixing of the acid feed gas and combustion air in sub-stoichiometric conditions to optimise the Claus reaction in normal operation without soot formation, whilst at plant start up and shutdown operating with support fuel gas.

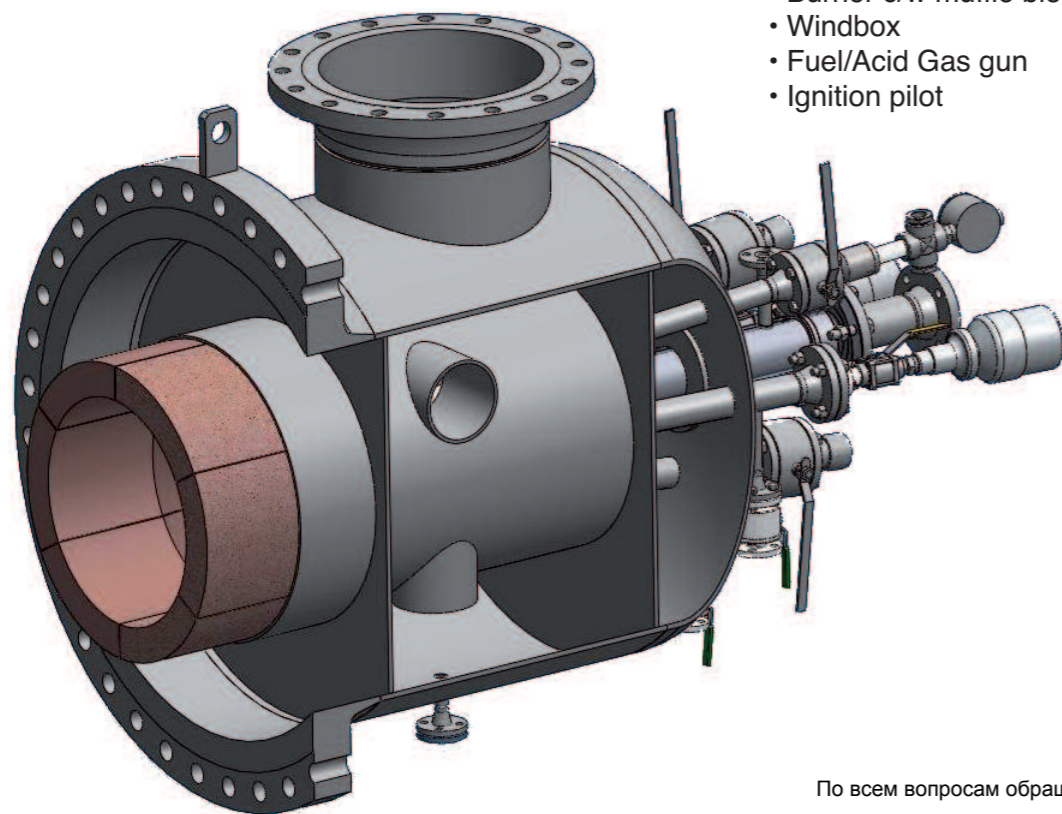


Key features

- High liberation to flame length ratio
- Complete flame stability
- High turn-down range, up to 10:1 in suitable conditions
- Low NOx emission levels
- Low noise levels – typically less than 85 dBA at 1m from burner
- Operates a wide range of acid Gas/fuel specifications
- Operates with preheated combustion air
- Suited to a wide variety of applications
- Manufactured according to ASME VIII/PED directive
- Extensive reference list

Standard supply

- Burner c/w muffle block
- Windbox
- Fuel/Acid Gas gun
- Ignition pilot



Engineering service

ITAS can offer a range of services from a single burner through to a complete reaction furnace packages, reaction furnaces and waste heat boilers including fuel skids, instrumentation and BMS control panels for new and revamping projects.

Options

- Flame UV Scanners
- Ignition retractable Systems automatic/manual
- High Energy Ignition Panel
- Fuel Skids
- BMS Control Panel

